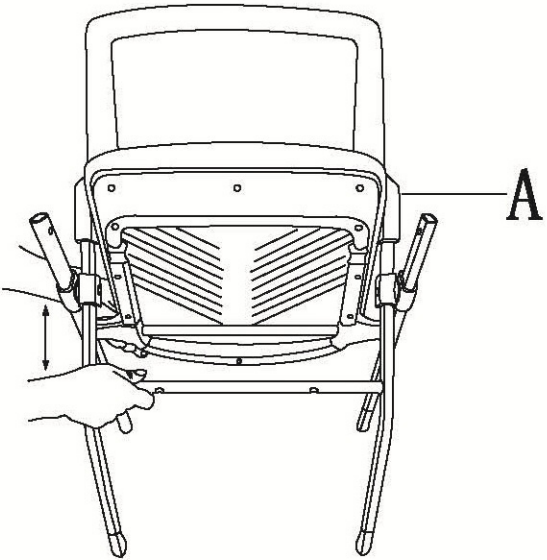
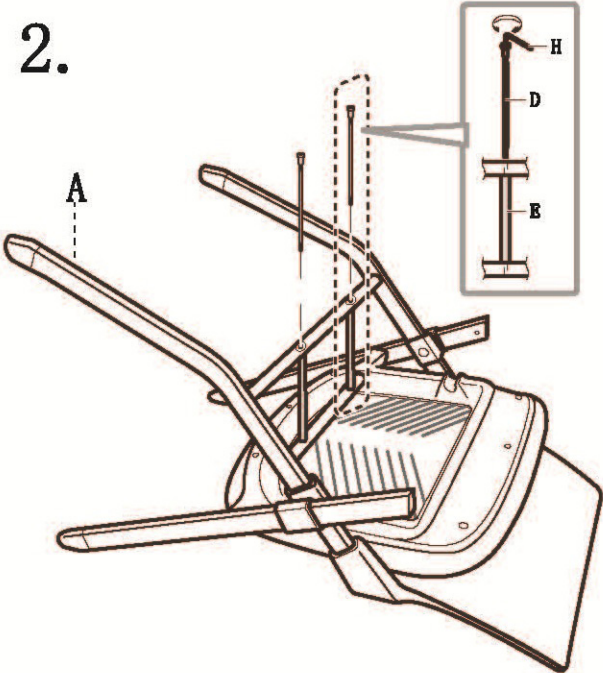


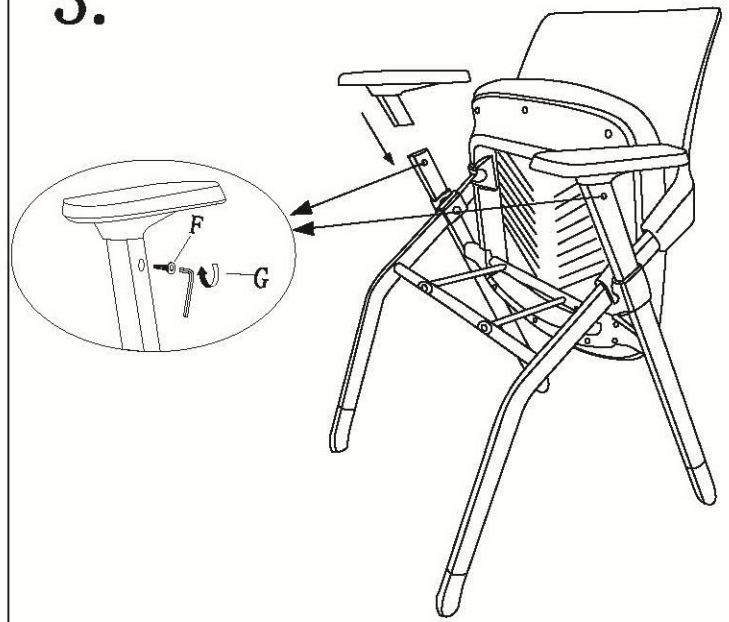
1.



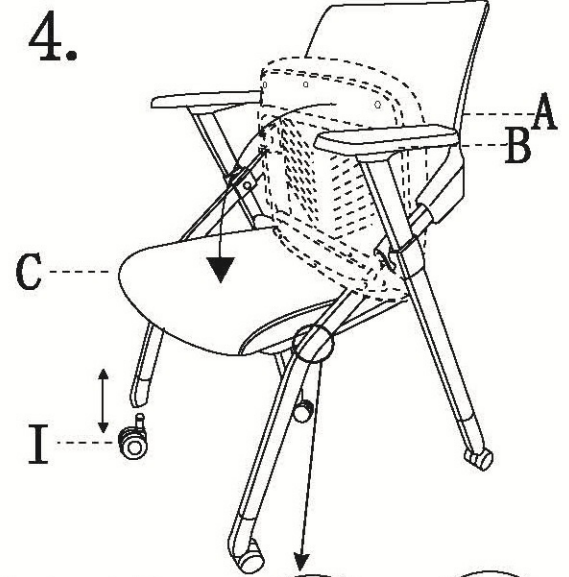
2.



3.



4.



As shown in Fig; seat must be locked on the crosspiece

